



1791 East 38th Street 1A
Cleveland, Ohio 44114
(216) 881-4559 Office
(216) 881-4507 Fax
www.cisconfishingsystems.com

Thank you for your purchase from Cisco Fishing Systems, Ltd. Your business has helped support USA manufacturing and comes with high quality customer support from our knowledgeable staff in Cleveland, Ohio. Please follow the instructions below to ensure proper and safe installation. If you have any questions during the installation please contact us and we will assist you with any questions you may have.

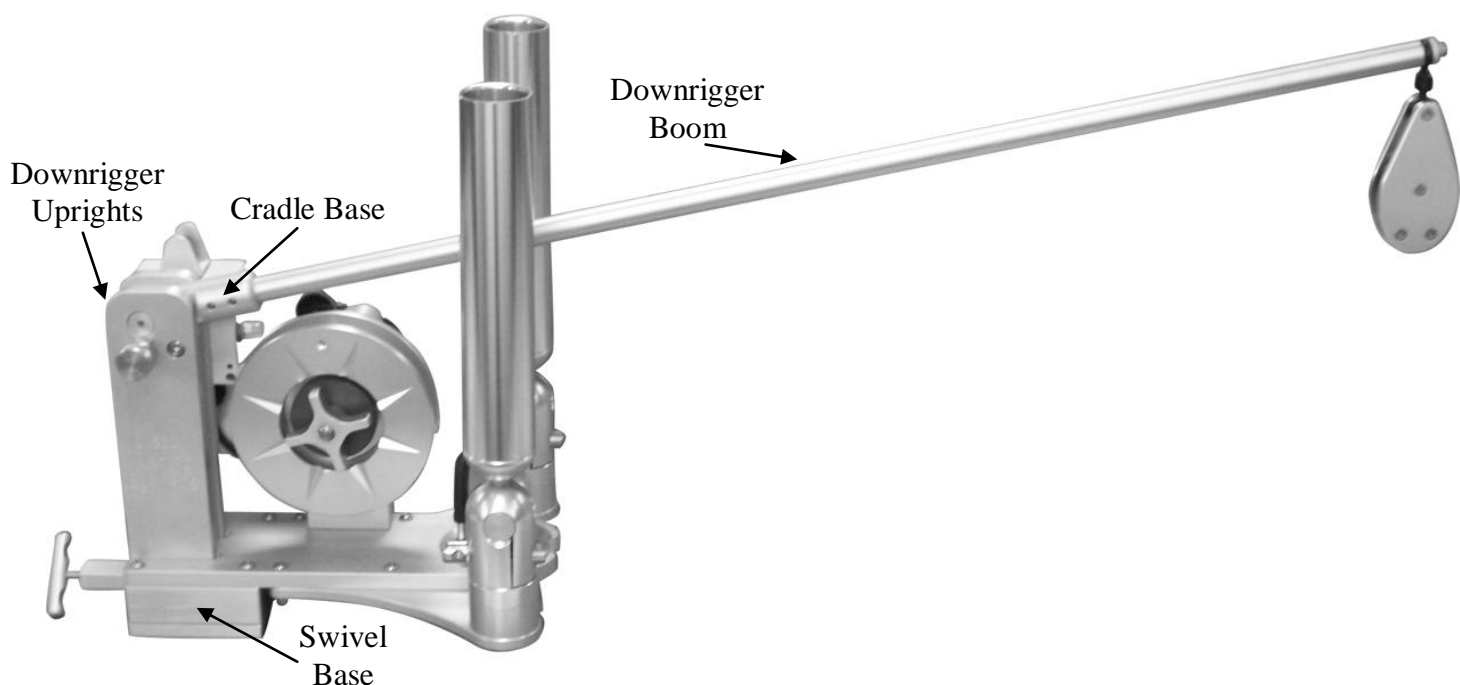
Installation of the Boom

For installation of a telescopic boom follow steps 1-4

For installation of a solid boom follow only steps 2-4

1. Slide the idler pulley onto the boom and fasten in desired location.
2. Make sure that the set screws in the downrigger boom cradle are far enough out that they will allow the boom to slide in completely.
3. Slide the base of the boom completely into the cradle base with the FLAT side of the base on the same side as the set screws.
4. With a hex wrench firmly tighten the set screws into the aluminum boom. Do not be hesitant to over tighten the set screws.

Note: Tilt-Up lock feature is to be used when attaching your lines. Boom must be in the down position when cruising faster than trolling speed. Rod holders may also be repositioned behind the downrigger motor by securing the mounting plates between the swivel base and the downrigger uprights.

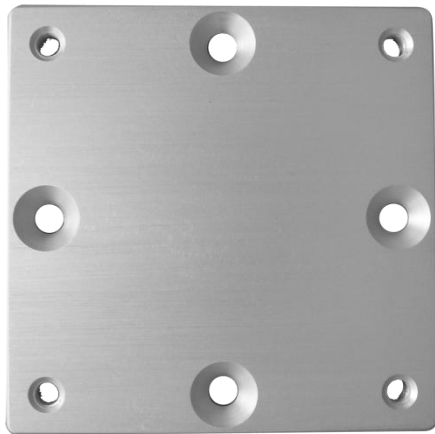




1791 East 38th Street 1A
Cleveland, Ohio 44114
(216) 881-4559 Office
(216) 881-4507 Fax
www.cisconfishingsystems.com

Installation of the Mounting Plate

1. Remove this plate from the base of the downrigger swivel base.
2. The 4" Square plate must be secure to a flat surface that is accessible from the bottom.
3. Mark the location of the four countersunk holes on the flat surface
4. Check that no wires, fuel lines, cables, etc. will be damaged prior to drilling the holes
5. Drill four clearance holes for a ¼" flat head screw.
6. Mount the plate using ¼" washers from the bottom side with lock nuts.



Electrical

The downrigger must be on a fused 20 amp circuit. The push button breaker only protects the motor if overloaded. The fuse will protect the cable if it is cut or broken. Please use caution when handling electrical wire or make sure someone who is licensed to handle it installs it properly for the safety of everyone.

