

CISCO FISHING SYSTEMS, LTD. PRODUCT LIST



Follow us on Facebook
for new product
updates, boat rigging
ideas and promotions!



Made in USA



1791 East 38th Street 1A
Cleveland, Ohio 44114
Phone: 216.881.4559
Fax: 216.881.4507
www.cisconfishingsystems.com

Premier Trolling Equipment

Innovation Makes Us #1, Quality Keeps Us There!

Meet The Cisco Team!

Cisco Fishing Systems, Ltd. is a Cleveland, Ohio based company, whose mission is to be successful by effectively utilizing the philosophies of precision workmanship and advanced machining techniques. We are an internationally recognized brand name which provides high quality products at very competitive prices. Our commitment to quality and our unsurpassed customer service has led us to become a leading innovator in the fishing industry.

Cisco Fishing Systems Ltd. was founded in February, 2005. Cisco Fishing Systems, Ltd. is owned and operated by Dennis Logan, who is involved with the operation and management, as well as product design and development. Dennis Logan has worked in the machine tool industry for 40 years starting as an apprentice and advancing to a supervisory position which was held for 10 years. He is experienced on all CNC toolroom equipment and set-ups.

David Logan is the Sales and Marketing Manager and has been with the company since 2007. He graduated from Ohio University with a double major in International Business and Marketing. Since working with the company David has established many international dealers with our partners in Finland, Denmark, Canada, Australia, Sweden, Russia and the Caribbean Islands. David assists customers by providing them with sales and product information and handles all custom work inquires for the company.

Our product line has grown to become very diversified over the years. This allows us to work closely with dealers and customers to strategically and professionally rig boats of all brands and all sizes. Our equipment is designed to provide a lifetime of performance and can easily be transferred between vessels.

We would like to thank you for your interest in Cisco Fishing Systems and assure you no other sales team nor company will work harder to help meet your needs. Your satisfaction is the highest recognition we can achieve. Check out our catalog to see why Cisco Fishing Systems, Ltd. products will be the last brand you will ever own!



Pictured from left to right: Bob Booth, David Logan, and Dennis Logan

CISCO FISHING SYSTEMS, LTD. LIMITED LIFETIME ROD HOLDER WARRANTY

1791 East 38th Street 1A, Cleveland, Ohio 44114

Congratulations! You have now purchased the most innovative fishing rod holder(s) available, backed by one of the finest warranties.

Length of Warranty:

Your warranty protects you, the original consumer, for as long as you own your fishing rod holder(s). Coverage terminates if you sell or otherwise transfer your fishing rod holder(s).

What is Covered:

Cisco Fishing Systems, Ltd. will repair or replace such rod holder or part thereof which, upon inspection of Cisco Fishing Systems Ltd., is found to be defective in materials or workmanship.

In order for this limited warranty to be valid, you must be the original purchaser and provide a copy of the original store receipt. You **MUST** return the warranty registration attached below within 30 days of purchase otherwise this warranty will become void. You must obtain a U.S. Postal Service Certificate of Mailing to keep with your warranty registration.

What is Not Covered:

This warranty does not cover fading or discoloration caused by exposure to sunlight or chemicals. This warranty shall be void and of no force or effect in the event a covered product has been modified in design or function, subjected to abuse, misuse, mishandling, unauthorized repair, or an act of God.

Damage caused by improper installation or during installation is not covered. This warranty does not cover items lost or stolen. Mounting systems are not cover under this warranty.

What Cisco Fishing Systems, Ltd. Will Do:

Cisco Fishing Systems, Ltd. will replace any defective or malfunctioning part. In the event repair is not possible, Cisco Fishing Systems, Ltd., reserves the right to substitute material of equal or higher value, or at our option, provide a refund. The customer shall be responsible for all costs of transportation and insurance, both to and from the factory, and shall be required to prepay such costs.

All returns must be accompanied by a written statement setting forth the name, address, and daytime telephone number of the owner, together with a brief description of any claimed defects and a copy of your U.S. Postal Service Certificate of Mailing which you obtained when your warranty registration was originally mailed at time of purchase. Parts or product for which replacement is made shall become the property of Cisco Fishing Systems, Ltd.

How to get service:

Cisco Fishing Systems, Ltd. makes every effort to be sure we manufacture our fishing systems with the finest materials available. If however, you discover a defect in your product, simply contact us at (216)-881-4559.

DETACH HERE

Revised 6/17

CISCO FISHING SYSTEMS, LTD., ROD HOLDER WARRANTY REGISTRATION

PLEASE PRINT

NAME: _____

STREET: _____

CITY: _____ STATE: _____ ZIP CODE: _____

E-MAIL: _____ DATE OF PURCHASE: ____/____/____

PRODUCT PURCHASED: _____

STORE WHERE PURCHASED: _____

Revised 6/17

Table of Contents

Ordering Guidelines.....	1
Pre-Assembled Packages	2
<i>Single Rod Holder Packages</i>	<i>2</i>
<i>Tube Rod Holder on Track Mount</i>	<i>2</i>
<i>Tube Rod Holder on Thumbscrew Mount.....</i>	<i>2</i>
<i>Tube Rod Holder on Thumbscrew Rail Mount</i>	<i>2</i>
<i>Short Cradle Rod Holder on Track Mount</i>	<i>3</i>
<i>Short Cradle Rod Holder on Thumbscrew Rail Mount</i>	<i>3</i>
<i>Short Cradle Rod Holder on Thumbscrew Mount</i>	<i>3</i>
<i>Long Cradle Rod Holder on Thumbscrew Mount.....</i>	<i>4</i>
<i>Long Cradle Rod Holder on Thumbscrew Rail Mount.....</i>	<i>4</i>
<i>Long Cradle Rod Holder on Track Mount.....</i>	<i>4</i>
<i>Double Rod Holder Packages.....</i>	<i>5</i>
<i>Double Tube Holder on Thumbscrew Mount.....</i>	<i>5</i>
<i>Double Tube Holder on Gimbal Mount</i>	<i>5</i>
<i>Double Tube Holder on Sport Trac 42° Lund Mount.....</i>	<i>5</i>
<i>Double Tube Rod Holder on Multi Track Mount.....</i>	<i>6</i>
<i>Double Tube Rod Holder on Quick Release Mount.....</i>	<i>6</i>
<i>Double Tube Holder on Pro Trac 90° Lund Mount.....</i>	<i>6</i>
<i>Triple Rod Holder Packages.....</i>	<i>7</i>
<i>Triple Tube Holder on Thumbscrew Mount.....</i>	<i>7</i>
<i>Triple Tube Rod Holder on Multi Track Mount.....</i>	<i>7</i>
<i>Triple Tube Holder on Gimbal Mount</i>	<i>7</i>
<i>Triple Tube Rod Holder on Quick Release Mount.....</i>	<i>8</i>
<i>Triple Tube Holder on Pro Trac 90° Lund Mount.....</i>	<i>8</i>
<i>Triple Tube Holder on Sport Trac 42° Lund Mount.....</i>	<i>8</i>
<i>Quad Rod Holder Packages.....</i>	<i>9</i>
<i>Quad Tube Holder on Thumbscrew Mount</i>	<i>9</i>
<i>Quad Tube Rod Holder on Track Mount</i>	<i>9</i>
<i>Quad Tube Rod Holder on Quick Release Mount</i>	<i>9</i>
<i>Vertical Tree Mast Package.....</i>	<i>10</i>
Tube Rod Holders	11
<i>Single Rod Holder Tube Style.....</i>	<i>11</i>
<i>Tube Color Options.....</i>	<i>11</i>
<i>Cradle Rod Holders</i>	<i>12</i>
<i>Single Short Cradle Style</i>	<i>12</i>

<i>Single Patriot Cradle Style</i>	12
<i>Single Long Cradle Style</i>	12
Cross-Plates (Double/Triple/Quad)	13
<i>Double Rod Holder Cross-Plate</i>	13
<i>Triple Rod Holder Cross-Plate</i>	13
<i>Quad Rod Holder Cross-Plate</i>	13
Secure Mounting Options	14
<i>Mounting Options for Single Rod Holders</i>	14
<i>Permanent Mount</i>	14
<i>Thumbscrew Mount</i>	14
<i>3" Track Mount</i>	14
<i>Single 5", 10" or 15" Riser Mounts</i>	15
<i>7/8" or 1" Rail Mount</i>	15
<i>7/8" or 1" Thumbscrew Rail Mount</i>	15
Mounting Options for Multi-Rod Units.....	16
<i>Thumbscrew Mount for Multi-Holders</i>	16
<i>Track Mount for Multi-Holders</i>	16
<i>Gimbal Mount for Multi-Holders</i>	17
<i>Quick Release Mount for Multi-Holders</i>	17
<i>Easy Storage Mount for Multi-Holders</i>	18
Cisco Sure-Stop Track	19
Lund Mounts.....	20
<i>42° Sport Lund Mount for Multi-Holders</i>	20
<i>90° Pro Lund Mount for Multi-Holders</i>	20
<i>Dual 42° Sport Trac Lund Mount</i>	21
<i>90° Pro Trac Downrigger Lund Mount</i>	21
Tracker (VersaTrack) Mounts.....	22
<i>Tracker VersaTrack Downrigger Lund Mount</i>	22
<i>Tracker VersaTrack Mount</i>	22
Sure-Lok Electronics Mount.....	23
Planer Board Masts.....	24
<i>3' Planer Mast with Pulley</i>	25
<i>Single Planer Pulley with Rail Clamps</i>	25
Manual and Electric Planer Reels.....	26
<i>Planer Board Electric Control</i>	27
Downrigger	28
Stationary Storage Rack.....	28
Rod Holder Tree	29
<i>Tree Rod Holder</i>	29

<i>Tree Mast</i>	29
Trolling Motor Stabilizer Mount	30
Accessories	31
<i>Downrigger Motor</i>	31
<i>Planer Motor</i>	31
<i>Cup Holder</i>	32
<i>Tool Caddy with 5" Riser</i>	32
<i>Adjustable Handline Reel Mount</i>	32
<i>Sure-Lok LED Boat Light</i>	33
<i>6" Stainless Steel Cleat on Track Mount</i>	33
<i>6" Aluminum Reel</i>	34
<i>High Capacity 8" Aluminum Reel</i>	34
<i>Revolving Handle</i>	34
<i>Stationary Net Holder</i>	35
<i>Aluminum Pulley</i>	35
<i>Clutch Knob</i>	35
<i>Bronze Clutch Pads</i>	35
<i>Additional Thumbscrews</i>	35
<i>Extra Mounting Plates:</i>	36
<i>Quick Release Gunnel Plate</i>	36
<i>Big Jon Adapter Plate</i>	36
<i>Thumbscrew Mounting Plate</i>	36
<i>Riser Mount</i>	37
<i>Universal Mounting Plate</i>	37
<i>Cannon Adapter Plate</i>	37
<i>Scotty/Walker Adapter Plate</i>	37
<i>Additional Thumbscrews</i>	37

Cisco Fishing Systems, Ltd.

1791 East 38th Street 1A, Cleveland, Ohio 44114
Phone: 216.881.4559 Fax: 216.881.4507 www.cisconfishingsystemsLtd.com

ORDERING GUIDELINES

We encourage our customers to check out all of our Pre-Assembled Packages which include a summary of our most popular products. These packages come assembled with the rod holder and mounting base combined. However, if you are looking to customize a unique order please use the following guidelines shown below.

Ordering information must include:

- 1) Rod Holder Style (Tube or Cradle)
- 2) Cross-Plate (for double, triple or quad only)
- 3) Mount (single or multi)

Sample order for:

2 SINGLE TUBE ROD HOLDERS ON 7/8" RAIL MOUNT:

- | | | |
|--|-------|-------------|
| A) Single Tube Style Rod Holder Product #: | RHTUB | QUANTITY: 2 |
| B) Cross-Plate Product #: Not Applicable | | |
| C) Single 7/8" Rail Mount Product #: | MTRLS | QUANTITY: 2 |

Sample order for:

2 TRIPLE TUBE STYLE ROD HOLDERS ON QUICK RELEASE MOUNT:

- | | | |
|---|-------|-------------|
| A) Single Tube Style Rod Holder Product #: | RHTUB | QUANTITY: 6 |
| B) Triple Rod Holder Cross-Plate Product #: | PLTRP | QUANTITY: 2 |
| C) Quick Release Mount for Multi Holders Product #: | MTQRM | QUANTITY: 2 |

Sample order for:

2 QUADS: EACH QUAD WILL HAVE 2 TUBE STYLE ROD HOLDERS AND 2 LONG CRADLE STYLE ROD HOLDERS ON QUICK RELEASE MOUNTS

- | | | |
|--|-------|-------------|
| A) Single Tube Style Rod Holder Product #: | RHTUB | QUANTITY: 4 |
| B) Long Cradle Style Rod Holder Product #: | RHLCR | QUANTITY: 4 |
| C) Quad Rod Holder Cross-Plate Product #: | PLQAD | QUANTITY: 2 |
| D) Quick Release Mount for Multi Holder Product #: | MTQRM | QUANTITY: 2 |

Cisco Fishing Systems, Ltd.

1791 East 38th Street 1A, Cleveland, Ohio 44114

Phone: 216.881.4559 Fax: 216.881.4507 www.cisconfishingsystemsLtd.com

PRE-ASSEMBLED PACKAGES

Listed below are some of our most popular rod holder packages. Single rod holder packages allow you to position your rods at any spacing you would like. The mounts available include our thumbscrew mount, handrail mounts and track mounts. Our double/triple/quad packages allow you to easily attach/detach equipment from your boat using the gimbal mount, quick release mount, thumbscrew mount, or track mount.

Single Rod Holder Packages

Listed in this section you will find some of our most popular Single Rod Holder packages.



Product #:
PKSTM

Tube Rod Holder on Track Mount

The tube style rod holder is designed to index 360° with 20 interlocking positions by simply lifting and turning our exclusively engineered spring-loaded mechanism. The tube will adjust to any angle from 0-90° by actuating the padded lever.

The track mount is designed for use with our Sure-Stop Track System. It is also compatible with similar style tracks with a 3" inside channel.



Product #:
PKSRM (7/8")
PKSRM-1 (1")

Tube Rod Holder on Thumbscrew Rail Mount

The tube style rod holder is designed to index 360° with 20 interlocking positions by simply lifting and turning our exclusively engineered spring-loaded mechanism. The tube will adjust to any angle from 0-90° by actuating the padded lever.

The thumbscrew rail mount is available in 7/8" and 1" diameters. This mount offers the ability to utilize handrails on your boat and is guaranteed not to slip or mark the rail under any condition. The rod holder is attached to a rectangular plate with two thumbscrews and can be attached/unattached leaving only the round slim fitted clamp secured to the handrail.



Product #:
PKSTS

Tube Rod Holder on Thumbscrew Mount

The tube style rod holder is designed to index 360° with 20 interlocking positions by simply lifting and turning our exclusively engineered spring loaded mechanism. The tube will adjust to any angle from 0-90° by actuating the padded lever.

The rod holder will mount to the top plate and the bottom plate will mount directly to the gunnel. The two plates are secured together by two thumbscrews and can be easily disassembled for removal/storage from the gunnel. The dimensions of the base are 3" x 4".

Cisco Fishing Systems, Ltd.

1791 East 38th Street 1A, Cleveland, Ohio 44114
Phone: 216.881.4559 Fax: 216.881.4507 www.cisconfishingsystems.com

SINGLE ROD HOLDER PACKAGES (CONT.)



Product #:
PKSCC

Product #:
PKSCC-CR

Short Cradle Rod Holder on Track Mount

The cradle style rod holder is designed to index 360° with 20 interlocking positions by simply lifting and turning our exclusively engineered spring-loaded mechanism. The cradle will adjust to any angle from 0-135° to allow rod tips to angle into the water. The cradle is also available with a locking ring.

The track mount is designed for use with our Sure-Stop Track System. It is also compatible with similar style tracks such as Bert's Custom Tackle or Traxstech brands.



Product #:
PKSCR (7/8")
PKSCR-1 (1")

Product #:
PKSCR-CR (7/8")
PKSCR-CR1 (1")

Short Cradle Rod Holder on Thumbscrew Rail Mount

The cradle style rod holder is designed to index 360° with 20 interlocking positions by simply lifting and turning our exclusively engineered spring-loaded mechanism. The cradle will adjust to any angle from 0-135° to allow rod tips to angle into the water. The cradle is also available with a locking ring.

The thumbscrew rail mount is available in 7/8" and 1" diameters. This mount offers the ability to utilize handrails on your boat and is guaranteed not to slip or mark the rail under any condition. The rod holder is attached to a rectangular plate with two thumbscrews and can be attached/unattached leaving only the round slim fitted clamp secured to the handrail.



Product #:
PKSCT

Product #:
PKSCT-CR

Short Cradle Rod Holder on Thumbscrew Mount

The cradle style rod holder is designed to index 360° with 20 interlocking positions by simply lifting and turning our exclusively engineered spring-loaded mechanism. The cradle will adjust to any angle from 0-135° to allow rod tips to angle into the water. The cradle is also available with a locking ring.

The rod holder will mount to the top plate and the bottom plate will mount directly to the gunnel. The two plates are secured together by two thumbscrews and can be easily disassembled for removal/storage from the gunnel. The dimensions of the base are 3" x 4".

Cisco Fishing Systems, Ltd.

1791 East 38th Street 1A, Cleveland, Ohio 44114

Phone: 216.881.4559 Fax: 216.881.4507 www.cisconfishingsystemsLtd.com

SINGLE ROD HOLDER PACKAGES (CONT.)



Product #:
PKLTR

Long Cradle Rod Holder on Track Mount

The cradle style rod holder is designed to index 360° with 20 interlocking positions by simply lifting and turning our exclusively engineered spring loaded mechanism. The cradle will adjust to any angle from 0-135° to allow rod tips to angle into the water. This rod holder is great for salmon, walleye and muskie trolling.

The track mount is designed for use with our Sure-Stop Track System. It is also compatible with similar style tracks such as Bert's Custom Tackle or Traxstech brands.



Product #:
PKLRM

Long Cradle Rod Holder on Thumbscrew Rail Mount

The cradle style rod holder is designed to index 360° with 20 interlocking positions by simply lifting and turning our exclusively engineered spring loaded mechanism. The cradle will adjust to any angle from 0-135° to allow rod tips to angle into the water. This rod holder is great for salmon, walleye and muskie trolling.

The thumbscrew rail mount is available in 7/8" (standard) and 1" (optional) diameters. This mount offers the ability to utilize handrails on your boat and is guaranteed not to slip or mark the rail under any condition. The rod holder is attached to a rectangular plate with two thumbscrews and can be attached/unattached leaving only the slim fitted mount attached to the rail.



Product #:
PKLTS

Long Cradle Rod Holder on Thumbscrew Mount

The cradle style rod holder is designed to index 360° with 20 interlocking positions by simply lifting and turning our exclusively engineered spring loaded mechanism. The cradle will adjust to any angle from 0-135° to allow rod tips to angle into the water. This rod holder is great for salmon, walleye and muskie trolling.

The rod holder will mount to the top plate and the bottom plate will mount directly to the gunnel. The two plates are secured together by two thumbscrews and can be easily disassembled for removal/storage from the gunnel. The dimensions of the base are 3" x 4".

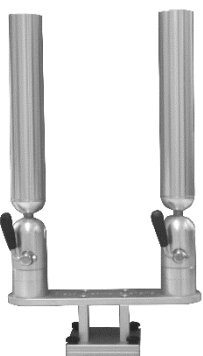
Cisco Fishing Systems, Ltd.

1791 East 38th Street 1A, Cleveland, Ohio 44114

Phone: 216.881.4559 Fax: 216.881.4507 www.cisconfishingsystems.com

Double Rod Holder Packages

Listed in this section you will find some of our most popular Double Rod Holder packages. With options available for track systems, quick release mounts for fast removal, gimbal mounts for flush holders, Lund boats and thumbscrew mounts you can easily find and select the best item for your boat rigging needs. If you are looking to substitute the mount and/or tube style option for the cradle style, please keep in mind this can easily be done by contacting a Cisco representative or by building your own rig à la carte.



Product #: PKDTS

Double Tube Holder on Thumbscrew Mount

The tube style rod holder is designed to index 360° with 20 interlocking positions by simply lifting and turning our exclusively engineered spring loaded mechanism. The tube will adjust to any angle from 0-90° by actuating the padded lever.

The rod holder will mount to the top plate and the bottom plate will mount directly to the gunnel. The two plates are secured together by two thumbscrews and can be easily disassembled for removal/storage from the gunnel. The dimensions of the base are 4" x 4".



Product #:
PKDGM

Double Tube Holder on Gimbal Mount

The tube style rod holder is designed to index 360° with 20 interlocking positions by simply lifting and turning our exclusively engineered spring loaded mechanism. The tube will adjust to any angle from 0-90° by actuating the padded lever.

For exact positioning, the gimbal mount will adjust to angle up to 33° and rotate to any position to suit your needs because of our exclusive ball and socket design. The pole and clamps are machined from solid aluminum and are anodized to military specs.



Product #: PKD42

Double Tube Holder on Sport Trac 42° Lund Mount

The tube style rod holder is designed to index 360° with 20 interlocking positions by simply lifting and turning our exclusively engineered spring-loaded mechanism. The tube will adjust to any angle from 0-90° by actuating the padded lever.

The Sport Trac Lund Mount is designed to fit the 42° angled track system on Lund boats 2005, and newer. No tools are needed to attach/detach equipment from the boat. Red indicator knobs provide a visual that the mount is engaged properly.

Cisco Fishing Systems, Ltd.

1791 East 38th Street 1A, Cleveland, Ohio 44114
Phone: 216.881.4559 Fax: 216.881.4507 www.cisconfishingsystemsLtd.com

DOUBLE ROD HOLDER PACKAGES (CONT.)



Product #: PKD90

Double Tube Holder on Pro Trac 90° Lund Mount

The tube style rod holder is designed to index 360° with 20 interlocking positions by simply lifting and turning our exclusively engineered spring-loaded mechanism. The tube will adjust to any angle from 0-90° by actuating the padded lever.

The Pro Trac Lund Mount is designed to fit the 90° angled track system on Lund boats 2005, and newer. No tools are needed to attach/detach equipment from the boat. Red indicator knobs provide a visual that the mount is engaged properly.



Product #: PKDTM

Double Tube Rod Holder on Multi Track Mount

The tube style rod holder is designed to index 360° with 20 interlocking positions by simply lifting and turning our exclusively engineered spring-loaded mechanism. The tube will adjust to any angle from 0-90° by actuating the padded lever.

The track mount is designed for use with our Sure-Stop Track System. It is also compatible with similar style tracks with an inside channel of 3”.



Product #: PKDQR

Double Tube Rod Holder on Quick Release Mount

The tube style rod holder is designed to index 360° with 20 interlocking positions by simply lifting and turning our exclusively engineered spring loaded mechanism. The tube will adjust to any angle from 0-90° by actuating the padded lever.

The quick release mount was designed for charter captains, but has been adopted by many fishermen who were looking to quickly remove and store rod holders from their boat with no loose pieces (such as thumbscrews) to misplace. The unit can simply be secured to your boat in seconds.

The bottom plate will mount directly to the gunnel and the top plate will slide onto it. Our stainless steel plunger secures it into place. A machined aluminum dead-stop ensures that the unit cannot go any further outboard than the gunnel plate.

Cisco Fishing Systems, Ltd.

1791 East 38th Street 1A, Cleveland, Ohio 44114
Phone: 216.881.4559 Fax: 216.881.4507 www.cisconfishingsystemsLtd.com

Triple Rod Holder Packages

Listed in this section you will find some of our most popular Triple Rod Holder packages. With options available for track systems, quick release mounts for fast removal, gimbal mounts for flush holders, Lund boats and thumbscrew mounts you can easily find and select the best item for your boat rigging needs. If you are looking to substitute the mount and/or tube style option for the cradle style option please keep in mind this can easily be done by contacting a Cisco representative or by building your own rig à la carte.



Product #: PKTTS

Triple Tube Holder on Thumbscrew Mount

The tube style rod holder is designed to index 360° with 20 interlocking positions by simply lifting and turning our exclusively engineered spring-loaded mechanism. The tube will adjust to any angle from 0-90° by actuating the padded lever.

The rod holder will mount to the top plate and the bottom plate will mount directly to the gunnel. The two plates are secured together by four thumbscrews and can be easily disassembled for removal/storage from the gunnel. The dimensions of the base are 4" x 4".



Product #:
PKTGM

Triple Tube Holder on Gimbal Mount

The tube style rod holder is designed to index 360° with 20 interlocking positions by simply lifting and turning our exclusively engineered spring-loaded mechanism. The tube will adjust to any angle from 0-90° by actuating the padded lever.

For exact positioning, the gimbal mount will adjust to angle up to 33° and rotate to any position to suit your needs due to our exclusive ball and socket design. The pole and clamps are machined from solid aluminum and are anodized to military specs.



Product #: PKTRM

Triple Tube Rod Holder on Multi Track Mount

The tube style rod holder is designed to index 360° with 20 interlocking positions by simply lifting and turning our exclusively engineered spring-loaded mechanism. The tube will adjust to any angle from 0-90° by actuating the padded lever.

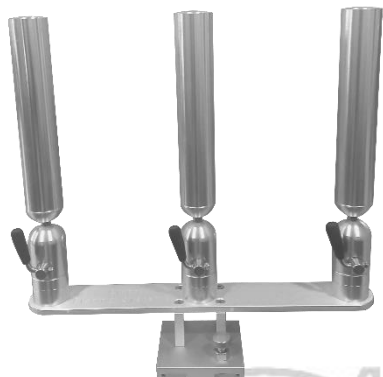
The track mount is designed for use with our Sure-Stop Track System. It is also compatible with similar style tracks with an inside channel of 3".

Cisco Fishing Systems, Ltd.

1791 East 38th Street 1A, Cleveland, Ohio 44114
Phone: 216.881.4559 Fax: 216.881.4507 www.cisconfishingsystems.com

TRIPLE ROD HOLDER PACKAGES (CONT.)

Triple Tube Rod Holder on Quick Release Mount



Product #: PKTQR

The tube style rod holder is designed to index 360° with 20 interlocking positions by simply lifting and turning our exclusively engineered spring-loaded mechanism. The tube will adjust to any angle from 0-90° by actuating the padded lever.

The quick release mount was designed for charter captains, but has been adopted by many fishermen who were looking to quickly remove and store rod holders from their boat with no loose pieces (such as thumbscrews) to misplace. The unit can simply be secured to your boat in seconds.

The bottom plate will mount directly to the gunnel and the top plate will slide onto it. Our stainless steel plunger secures it into place. A machined aluminum stop ensures that the unit cannot go any further outboard than the gunnel plate.

Triple Tube Holder on Sport Trac 42° Lund Mount



Product #: PKT42

The tube style rod holder is designed to index 360° with 20 interlocking positions by simply lifting and turning our exclusively engineered spring-loaded mechanism. The tube will adjust to any angle from 0-90° by actuating the padded lever.

The Sport Trac Lund Mount is designed to fit the 42° angled track system on Lund boats 2005, and newer. No tools are needed to attach/detach equipment from the boat. Red indicator knobs provide a visual that the mount is engaged properly.

Triple Tube Holder on Pro Trac 90° Lund Mount



Product #: PKT90

The tube style rod holder is designed to index 360° with 20 interlocking positions by simply lifting and turning our exclusively engineered spring loaded mechanism. The tube will adjust to any angle from 0-90° by actuating the padded lever.

The Pro Trac Lund Mount is designed to fit the 90° angled track system on Lund boats 2005 and newer. No tools are needed to attach/detach equipment from the boat. Red indicator knobs provide a visual that the mount is engaged properly.

Cisco Fishing Systems, Ltd.

1791 East 38th Street 1A, Cleveland, Ohio 44114
Phone: 216.881.4559 Fax: 216.881.4507 www.cisconfishingsystems.com

Quad Rod Holder Packages

Listed in this section you will find some of our most popular Quad Rod Holder packages. With options available for track systems, quick release mounts for fast removal, gimbal mounts for flush holders, Lund boats and thumbscrew mounts you can easily find and select the best item for your boat rigging needs. If you are looking to substitute the mount and/or tube style option for the cradle style option please keep in mind this can easily be done by contacting a Cisco representative or by building your own rig à la carte.

Quad Tube Holder on Thumbscrew Mount



Product #: PKQTS

The tube style rod holder is designed to index 360° with 20 interlocking positions by simply lifting and turning our exclusively engineered spring loaded mechanism. The tube will adjust to any angle from 0-90° by actuating the padded lever.

The rod holder will mount to the top plate and the bottom plate will mount directly to the gunnel. The two plates are secured together by four thumbscrews and can be easily disassembled for removal/storage from the gunnel. The dimensions of the base are 4" x 4".

Quad Tube Rod Holder on Track Mount



Product #: PKQTM

The tube style rod holder is designed to index 360° with 20 interlocking positions by simply lifting and turning our exclusively engineered spring-loaded mechanism. The tube will adjust to any angle from 0-90° by actuating the padded lever.

The track mount is designed for use with our Sure-Stop Track System. It is also compatible with similar style tracks with a 3" inside channel.

Quad Tube Rod Holder on Quick Release Mount



Product #: PKQRB

The tube style rod holder is designed to index 360° with 20 interlocking positions by simply lifting and turning our exclusively engineered spring-loaded mechanism. The tube will adjust to any angle from 0-90° by actuating the padded lever.

The quick release mount was designed for charter captains but has been adopted by many fishermen who were looking to quickly remove and store rod holders from their boat with no loose pieces (such as thumbscrews) to misplace. The unit can simply be secured to your boat in seconds.

The bottom plate will mount directly to the gunnel and the top plate will slide onto it. Our stainless steel plunger secures it into place. A machined aluminum stop ensures that the unit cannot go any further outboard than the gunnel plate.

Cisco Fishing Systems, Ltd.

1791 East 38th Street 1A, Cleveland, Ohio 44114

Phone: 216.881.4559 Fax: 216.881.4507 www.cisconfishingsystemsLtd.com

Vertical Tree Mast Package

For fishermen looking to make the most out of the space available on their boat, our vertical Tree Mast is exactly what you are looking for! By positioning the mast near the helm you can allow for 3 to 4 planer rods per mast, leaving the entire side of the deck gunnels open! The rod holder tree organizes rods vertically which provides more room along the gunnels for setting baits, netting fish, etc.

The mast can be mounted to your boat by our thumbscrew mounting plates or fit securely in your Cisco Sure-Stop Track System (Bert's and Traxstech compatible). Tree Masts on Quick Release Mounts are available upon request.

You have the option to choose your tube rod holders as a fixed or adjustable angle.



Product #: PKTRE-TS
Fixed Angle Triple Tree
on Thumbscrew Mount
(As shown above)

Product #: PKTRE-TR
Fixed Angle Triple Tree
on Track Mount



Product #: PKTRA-TS
Adjustable Angle Triple
Tree on Thumbscrew Mount

Product #: PKTRA-TR
Fixed Angle Triple Tree on
Track Mount
(As shown above)

Cisco Fishing Systems, Ltd.

1791 East 38th Street 1A, Cleveland, Ohio 44114

Phone: 216.881.4559 Fax: 216.881.4507 www.cisconfishingsystemsLtd.com

TUBE ROD HOLDERS

Cisco rod holders are simply the best rod holders available for purchase. Unlike other rod holders who claim to be the best on the market, we do not just sell a promise, we provide it. Every rod holder indexes in a radial 360° rotation and our tubes angle infinitely from 0-90° with no tools necessary. All rod holder styles come standard with our Lifetime Limited Warranty. We also make sure that every component of our rod holders are anodized to military specs, come with a beautiful finish and are available in a variety of colors. Leave your knobs, hex wrenches and screwdrivers at the dock because with Cisco Fishing Systems you can spend more time fishing and less time positioning!

Single Rod Holder Tube Style



Product Code: RHTUB

The tube style rod holder is designed to index 360° with 20 interlocking positions by simply lifting and turning our exclusively engineered spring-loaded mechanism. When engaged, it is secured by machined teeth around the entire circumference for virtually zero wear on the product ensuring long lasting sustainability.

In addition to the radial movement, the tube will adjust to any angle from 0-90° by actuating the padded lever. The lever can be rotated in any direction to meet the needs of each user.

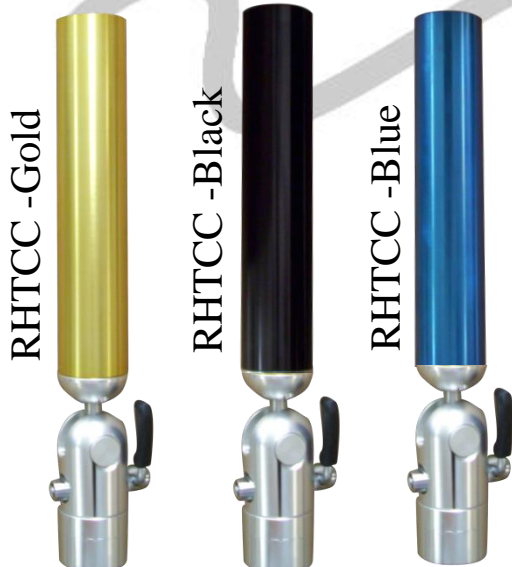
No tools are required for positioning of the rod holder. All aluminum components are anodized to military specs.

Tube Color Options

All of our tubes are threaded to allow easy removal upon the user's discretion. If the user would like to receive a color upgrade we offer our tubes anodized to military specs in the following colors:

- ✓ Bright Silver -- Standard --
- ✓ Bright Blue
- ✓ Bright Black
- ✓ Bright Gold

If you would like a colored tube please request it upon ordering with the appropriate product code as seen to the left.



Cisco Fishing Systems, Ltd.

1791 East 38th Street 1A, Cleveland, Ohio 44114

Phone: 216.881.4559 Fax: 216.881.4507 www.cisconfishingsystemsLtd.com

Cradle Rod Holders

The cradle style rod holders are designed to index 360° with 20 interlocking positions by simply lifting and turning our exclusively engineered spring-loaded mechanism. When engaged, it is secured by machined teeth around the entire circumference for virtually no wear on the product ensuring long lasting sustainability. In addition to the radial movement, the cradle will adjust to any angle from 0°-135° by actuating the padded lever.

The cradle rod holder was designed for fishermen who are looking to quickly get the rod from the holder to their hands with great ease. This works great for trolling with dispy divers because the handle of the rod can be removed by tilting it up vertically freeing it from the cradle with ease.

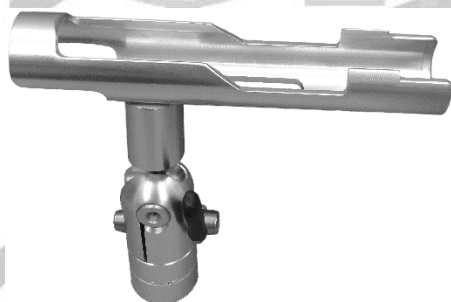


Product #: RHSCR

RHSCR-CR

Single Short Cradle Style

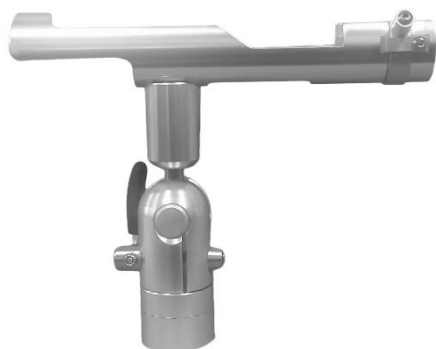
The short cradle is designed for fisherman who are familiar with the layout of the boat. The rods reel will sit against the base of the cradle and the rod handle will sit safely into the boat. This cradle is also available with a locking ring for anglers looking to bury their rod tips in the water.



Product #: RHPCR

Single Patriot Cradle Style

The Patriot cradle is one of our most universal rod holders and is designed to accept a wide variety of different style fishing rods. For anglers who fish for different species this holder will accept your trolling rods, line counters, baitcasters, spinning rods, and fly rods. There are many different locations to rest your reel, and the various slots allow for rods with triggers to be positioned without interference.



Product #: RHLCR

Single Long Cradle Style

The engineering of this unit allows the reel to be held further up the cradle keeping more of the rod handle out of the boat and allows more room in the deck area. There is a security ring at the end of the cradle which can be quickly engaged or disengaged to secure the rod.

Charter captains find that this unit helps to make customers feel more comfortable because they have more freedom to move around the deck.

Cisco Fishing Systems, Ltd.

1791 East 38th Street 1A, Cleveland, Ohio 44114
Phone: 216.881.4559 Fax: 216.881.4507 www.cisconfishingsystemsLtd.com

CROSS-PLATES (DOUBLE/TRIPLE/QUAD)

Any combination of tube rod holders or cradle rod holders may be mounted to the cross-plate.

The standard centerline spacing of the rod holders are 8 ¼" apart. Unlike some of our competitors, we design our cross-plates to come at this standard spacing to make sure that lines never cross or rods do not get damaged when removing them from the tube. This spacing is crucial to prevent the reels from colliding with each other. It also prevents the reel from catching the neighboring reel when removing the rod from the tube.

The four holes in the true center of each cross-plate are designated for the screws needed to secure any of the mounting options we offer, while the two holes in the horizontal center are designated for securing any of our rod holder styles listed above. All cross-plates are anodized to military specs.

Double Rod Holder Cross-Plate

Our double cross-plate is designed for fishermen who are looking for a simple set up for holding two fishing rods. This cross-plate works great for smaller decks which accommodate fewer fishermen.



Product Code: PLDUB | Overall Length: 10 ¾"

Triple Rod Holder Cross-Plate

Our triple cross-plate is designed for fishermen with moderately sized deck space and for the more serious anglers. Many fishermen find that the triple cross-plate works great with the combination of rod holder tube and cradle styles mixed to serve their various types of fishing needs.



Product Code: PLTRP | Overall Length: 19"

Quad Rod Holder Cross-Plate

Our quad cross-plate is designed for serious fishermen and charter captains. Pick and choose any combination of cradles or tube rod holders to outfit your boat in the most efficient way. It is not recommended the quad plate to be used with gimbal flush mounts.



Product Code: PLQAD | Overall Length: 27 ¼"

Cisco Fishing Systems, Ltd.

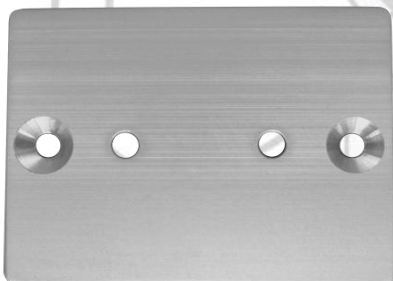
1791 East 38th Street 1A, Cleveland, Ohio 44114
Phone: 216.881.4559 Fax: 216.881.4507 www.cisconfishingsystemsLtd.com

SECURE MOUNTING OPTIONS

Cisco Fishing Systems, Ltd. is dedicated to provide the highest quality products available for purchase. To ensure that your premier rod holders and valuable rods and reels are secured we have engineered numerous mounting options to best serve the individual needs of our customers. All our mounts are machined from solid aluminum and are the most innovative and user-friendly mounts available for purchase. Check out which mount below will work best for you!

Mounting Options for Single Rod Holders

When you purchase a single rod holder (tube or cradle style) you are given many options of how to mount it to your boat. We understand that the last thing customers would like to do when switching from other brands is to drill additional holes in the boat; to make the transition as simple as possible we have designed our hole pattern to match other major brands previously sold.



Product Code: MTPRS

Permanent Mount

The permanent mount is one of our most basic mounts available for purchase. The single rod holder will mount on top of the two interior screws leaving the two exterior holes open for mounting directly to the gunnel of the boat.



Product Code: MTTSS

Thumbscrew Mount

This thumbscrew mount is for use with a single rod holder and comes with two separate plates. The rod holder will mount to the top plate and the bottom plate will mount directly to the gunnel. The two 3" x 4" plates are secured together by two thumbscrews and can be easily disassembled for removal/storage from the gunnel.



Product Code: MTTRW

3" Track Mount

This mount is designed for inside track dimensions of 3" wide and 1/4" thick.

The plate will slide into the track and will lock in place with two thumbscrews.

Cisco Fishing Systems, Ltd.

1791 East 38th Street 1A, Cleveland, Ohio 44114

Phone: 216.881.4559 Fax: 216.881.4507 www.cisconfishingsystemsLtd.com

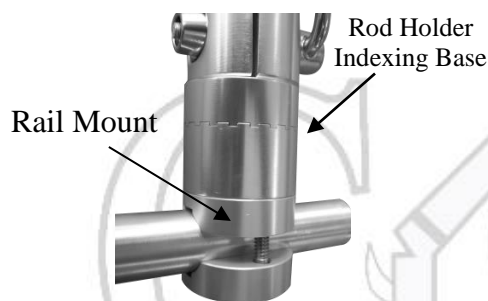
MOUNTING OPTIONS FOR SINGLE ROD HOLDER (CONT.)



Product #: RIS05, RIS10, RIS15

Single 5", 10" or 15" Riser Mounts

Any pre-existing or new Cisco tube or cradle style rod holder can be mounted to the top of this riser as well as our Sure-Lok Electronics Mount. Standard sizes are available in 5", 10" and 15" increments; custom size and colored risers are available upon request. The riser can be secured to any of our mounts for single rod holders.



7/8" or 1" Rail Mount

The rail mount is designed for use with 7/8" or 1" diameter rails. The clamp can be positioned at any location on the rail and mounts to any tube or cradle rod holder. With our rail mounts you can get the most versatility out of our rod holders without drilling additional holes in your boat!

Product Code:
MTRLS (7/8") MTRLS-1 (1")

*Photo shown with attached rod holder.
Rod holder and rail sold separately.

7/8" or 1" Thumbscrew Rail Mount



Photo above demonstrates the thumbscrew rail mount *unattached* from the base plate.

Our newly designed thumbscrew rail mount gives the user additional options than the rail mount described above. As shown to the left, the rod holder is attached to a top plate with two thumbscrews and can be attached/unattached leaving only the slim fitted mount attached to the rail.



Photo above demonstrates the thumbscrew rail mount *attached* from the rail clamp.

Users found this mount most practical when frequently removing the rod holders from their boat for storage or to re-attach the slim fitted boat cover.

If you are more of a casual fisherman and prefer multiple placements around your boat you may also purchase additional base mounts. This option allows you to move your rod holders from base to base rather than purchasing additional rod holders than necessary.

Product Code:
MTRTS (7/8")
MTRTS-1 (1")

This unit is also designed to hold our Sure-Lok Electronics Mount!

Cisco Fishing Systems, Ltd.

1791 East 38th Street 1A, Cleveland, Ohio 44114

Phone: 216.881.4559 Fax: 216.881.4507 www.cisconfishingsystemsLtd.com

MOUNTING OPTIONS FOR MULTI-ROD UNITS

Our mounts listed below are all compatible with any of the cross-plates previously listed in the catalog. We know how valuable rod and reels are to fishermen so no shortcuts were taken to ensure that our mounts uphold the highest standards of quality. All mounts come standard with 2" stanchion risers which the cross-plate will mount to. We manufacture our mounts using only solid aircraft grade anodized aluminum, stainless steel screws and solid stainless steel components; if you're looking for plastic and other weak components then you must look elsewhere...you won't find any of those parts here!



Photo above demonstrates the thumbscrew mount *attached* to the base plate.



Photo above demonstrates the thumbscrew mount base plate.

Product Code: MTTSM

Thumbscrew Mount for Multi-Holders

The thumbscrew mount is designed for fishermen who would like to have the option of removing their rod holders easily at the end of the day for storage. The bottom (gunnel) plate mounts directly to the gunnel and has four threaded holes for which the thumbscrews secure to.

For additional mounting locations extra gunnel plates are available for purchase. This allows you to move your rod holders from one location to another easily without having to purchase additional rod holders than necessary.

Mounting plate is 4" x 4".



**Product Code: MTTRM (shown)
MTTRM-AC**

Track Mount for Multi-Holders

This track mount is perfect for fishermen who like the versatility of being able to move their rod holder (double/triple/quad) units to many different locations. This mount is also able to be used with any of our downrigger adapter plates. The mount comes standard with 2" stanchion risers. Taller risers are available upon request.

For customers looking to use bimini tops, Scotty, RAM, or FOLBE rod holders in track systems we also stock an accessory track mount (not shown in photo).

Cisco Fishing Systems, Ltd.

1791 East 38th Street 1A, Cleveland, Ohio 44114

Phone: 216.881.4559 Fax: 216.881.4507 www.cisconfishingsystemsLtd.com

MOUNTING OPTIONS FOR MULTI-ROD UNITS (CONT.)

Gimbal Mount for Multi-Holders



Product Code: MTGIM-LS

Photo above displays our bayonet slotted pole.



Product Code: MTGIM-SS

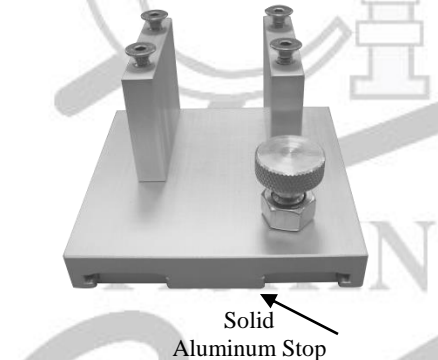
Photo above displays our straight slotted pole.

The gimbal mount is one of our most popular mounts. This mount will adapt your pre-installed flush mount into a multi-unit rod holder. It is available in two different locking styles, bayonet and straight slotted (as shown to the left). A straight slot is recommended with flush mounts with drain hoses.

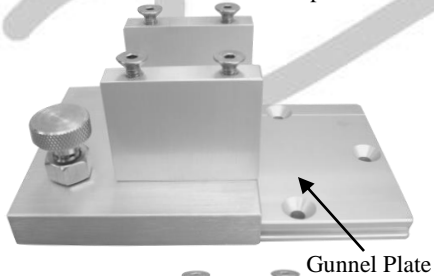
For exact positioning, the mount will adjust to angle and rotate to any position to suit your needs. The pole and gimbal mount are machined from solid aluminum and are machine matched from the first to last process.

The gimbal mount is designed for use with double, triple and quad plates, as well as for downriggers.

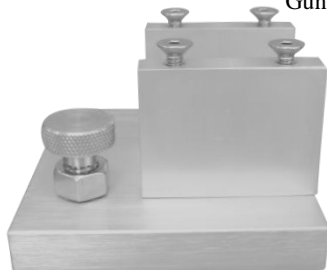
Quick Release Mount for Multi-Holders



Solid Aluminum Stop



Gunnel Plate



Product Code: MTQRM

The quick release mount was designed for charter captains but was quickly adopted by many fishermen who were looking to quickly remove and store rod holders from their boat with no loose pieces (such as thumbscrews) to misplace. The unit can simply be secured to your boat in a few seconds.

The bottom (or gunnel) plate will mount directly to the gunnel and the top plate will slide onto it securing it in place by our solid stainless steel plunger. A machined aluminum stop (shown to the left) will ensure that the unit cannot go any further outboard than the gunnel plate.

This mount has become one of our top selling units due to its tight fitting design which incorporates the machined interlocking channels and our solid stainless steel plunger. There is no "slop" when the gunnel plate is secured to the quick release top plate. All pieces of this mount have been machined down from a solid block of aluminum.

*Bottom picture displays the unit when both the Quick Release Top Plate and the Gunnel Plate are connected.

Cisco Fishing Systems, Ltd.

1791 East 38th Street 1A, Cleveland, Ohio 44114

Phone: 216.881.4559 Fax: 216.881.4507 www.cisconfishingsystemsLtd.com

MOUNTING OPTIONS FOR MULTI-ROD UNITS (CONT.)

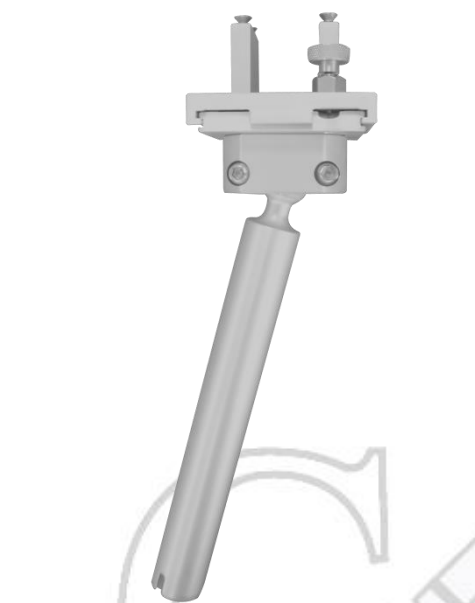


Photo above displays our straight slotted gimbal pole.



Photo above displays unit sliding into position.



Photo above displays unit locked in position.

Easy Storage Mount for Multi-Holders

This mount incorporates our gimbal and quick release mount to create a sleek looking and versatile unit. The gimbal mount attaches to the gunnel plate of the quick release mount so that the rod holders can be easily removed from the unit.

The gimbal mount will adjust to any angle up to 33° and will rotate to any position. This will ensure that the user can get the mount positioned exactly how they want it. When the mount is in its final position the customer should apply as much force as possible to the hex screws which lock the unit in place. It is not possible to over-tighten the unit.

This design is perfect for boats that come pre-installed with the gimbal flush mount because there are no holes that need to be drilled into the boat, while still giving you the ability to remove your rod holders for storage and safe keeping.

Any of our downrigger adapter plates or cross-plates can secure to this mount. The easy storage mount is our most innovative mount and will draw attention to you from all your friends at the marina!

Product Code: MTESM

Cisco Fishing Systems, Ltd.

1791 East 38th Street 1A, Cleveland, Ohio 44114

Phone: 216.881.4559 Fax: 216.881.4507 www.cisconfishingsystemsLtd.com

CISCO SURE-STOP TRACK

Our newly developed and beautifully anodized track has been designed to help make using a track system on your boat as effortless, safe, convenient and inexpensive as possible.

Most other track manufacturers overlook many details which can be easily fixed to remove the small nuisance's customers have found with their track. While designing this no shortcuts were taken to ensure that the track provided to our customers is as safe and luxurious as possible.

Track is available in standard lengths of 6", 12", 18", 24", 36", 48", 60" and 72". Custom lengths are always available upon request. *It is compatible with Bert's, Traxstech and Cisco Fishing Systems products.* All of the features listed below are innovative ways to give you the premier quality you deserve.

Track Features

Easy Access Incline: Every piece of Cisco track sold comes standard with an easy access incline on the open edges of the track. This incline has been machined into the solid aluminum to assist you when sliding track mounts and other accessories into the track. While other track manufactures simply saw their track to length, we machine it and remove any sharp edges so that the mounts simply glide into the track without resistance.

Safety Aspects: Another feature which sets us apart from our competitors is the process each track goes through to make certain that no edge or corner on the track is left unrounded. As you can see in the photo below, we machine a radius on every corner of the exposed track. This is extremely important to us to guarantee the safety of the friends and family while boating. You no longer have to worry about someone putting their hand on the track in rough waters for support and getting hurt in the process.

End Stops and Mounting Features: Our track was engineered so that users could get the most out of the product at the best price possible; that is why every piece of track comes standard with end stops at each corner of track. This $\frac{1}{4}$ - 20 threaded end stop is also capable of accepting thumbscrews so nothing can slide outward from the track while running the boat, yet be easily removed at the dock. The track is also slightly thicker at the base than other brands to help disperse pressure on the gunnel of the boat when mounted. Industrial grade stainless steel mounting hardware is provided. *All track units up to 24" are capable of being converted for gimbal mounting upon customer request at no additional cost.*



Smooth Radial
Corners and Edges

Industrial Grade
Mounting Hardware
Included



Product Codes:

TRK06, TRK12, TRK18, TRK24,
TRK36, TRK48, TRK60, TRK72,
TRKXX (custom length)

Product Code for 18" Multi-Mount:

TRK18-MM

Product Code for Thumbscrews:

XPTSS - 5/8

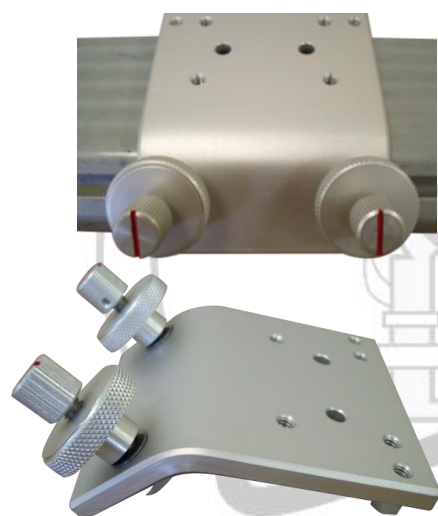
Cisco Fishing Systems, Ltd.

1791 East 38th Street 1A, Cleveland, Ohio 44114
Phone: 216.881.4559 Fax: 216.881.4507 www.cisconfishingsystemsLtd.com

LUND MOUNTS

We have developed two different mounting options for users with Lund boats. There are two main styles of track mounted to the gunnel of these boats, 42° and 90° angled track. The mounts listed below have a unique locking mechanism which allows the unit to slide along the track and easily secure it in position by tightening the two knobs located at the front of the unit. We also provide two synthetic levelers at the end of the unit to give the mount added support.

Both styles are capable of mounting any single rod holder style, as well as double, triple, or quad cross-plates.



Product Code: MTU42

42° Sport Lund Mount for Multi-Holders

The 42° Lund mount is machined from a solid piece of aluminum bar and is pressed to create the angled bend. You will know when your unit is locked into place when the red line gauge is in the vertical position.

For use with multiple rod holders, our double/triple cross-plates can be mounted directly to the top surface. Downrigger adapter plates are also compatible.

Top photo displays unit locked in position with track.
*Track not included.



Product Code: MTU90

90° Pro Lund Mount for Multi-Holders

The 90° Lund mount is built from a solid aluminum extrusion and is designed with a strengthened corner radius. You will know when your unit is locked into place when the red line gauge is in the vertical position.

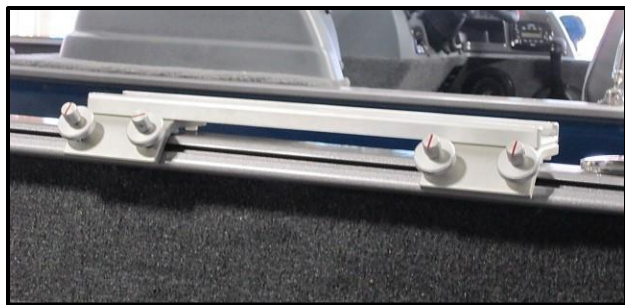
For use with multiple rod holders, our double/triple cross-plates can be mounted directly to the top surface. Downrigger adapter plates are also compatible.

Photo's display unit locked in position with track.
*Track not included

Cisco Fishing Systems, Ltd.

1791 East 38th Street 1A, Cleveland, Ohio 44114

Phone: 216.881.4559 Fax: 216.881.4507 www.cisconfishingsystemsLtd.com



Dual 42° Sport Trac Lund Mount

This 42° Dual Sport Trac Mount is designed for anglers looking to mount heavy/tall equipment to their boat. By bridging (2) of our sport trac Lund mounts together with our Sure-Stop Track, the torque transfers much more evenly across the gunnel. This eliminates the typical "flexing" you may find when using high speed downriggers or vertical tree masts.



This system is available in various lengths to cover additional area along the gunnel. Please refer to our website for various lengths and pricing.

****18" Track with (2) Lund Mounts shown****

90° Pro Trac Downrigger Lund Mount

The 90° Heavy Duty Lund mount is machined from a solid piece of aluminum extrusion. You will know when your unit is locked into place when the red line gauge is in the vertical position. Also, provided with this unit are synthetic levelers at the end of the unit to give the mount added support and to protect the gunnel from unnecessary scratches. This mount can be easily attached or removed from the Pro Trac gunnel with no tools necessary.

This bracket is designed to help disperse the torque more evenly across the surface of the gunnel. By having the mount elongated to cover a larger footprint across the gunnel it creates a much more rigid surface for mounting your downriggers and eliminates the possibility of flexing on the Pro Trac.

Cannon, Big Jon and Walker, Scotty and Cisco downrigger adapter plates are also available

The dimensions of the top mounting surface of this bracket are 9" x 3".



Product Code: MTU90-DR

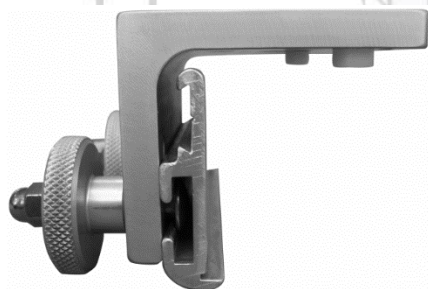
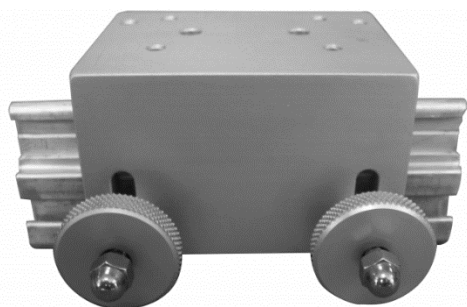
Cisco Fishing Systems, Ltd.

1791 East 38th Street 1A, Cleveland, Ohio 44114

Phone: 216.881.4559 Fax: 216.881.4507 www.cisconfishingsystemsLtd.com

TRACKER (VERSA TRACK) MOUNTS

Our Tracker mounts are designed to securely hold your equipment securely in place while still being easily removable. By using a single piece of solid aircraft grade aluminum we machine and manufacture all the components which make these the strongest mounts available. Our unique locking system allows you to glide the mounts into a new position and lock it down within seconds with NO tools required! This makes it great to allow for extra room when getting family and friends in and out of the boat, as well as making it possible to remove the equipment for the boat when installing your fitted covers.



Product Code: MTTRK



Product Code: MTTRK-DR

**Front acorn nuts have replaced red line indicator knobs. Actual product may slightly vary from photo shown above.

Tracker VersaTrack Mount

The Tracker VersaTrack Mount is designed to provide an extremely strong mounting bracket for users looking to mount rod holders and other fishing equipment easily to their boat.

This mount is engineered exclusively to fit into any Tracker VersaTrack system. The two stainless steel carriage bolts slide into the access holes along the sides of the gunnel and are able to move to any location in the channels of the track. Simply secure the mount in its location by tightening the two knurled knobs with your hands -- no tools required! Two synthetic levelers located on the underside of the top mount assure that the unit never scratches or marks the boat when locating and sliding the mount into position.

All of our Cross-Plates, Track Systems, Downrigger Plates, Rod Holders, and Electronics Mount can be secured to this bracket.

Tracker VersaTrack Downrigger Lund Mount

This heavy-duty mount is machined from a solid piece of aluminum extrusion. Provided with this mount are synthetic levelers to give the mount added support and to protect the gunnel from unnecessary scratches.

This bracket is designed to help disperse the torque more evenly across the surface of the gunnel. By having the mount elongated to cover a larger footprint across the gunnel it creates a much more rigid surface for mounting your downriggers and eliminates the possibility of flexing the VersaTrack. Cannon, Big Jon and Walker, Scotty and Cisco downrigger adapter plates are also available.

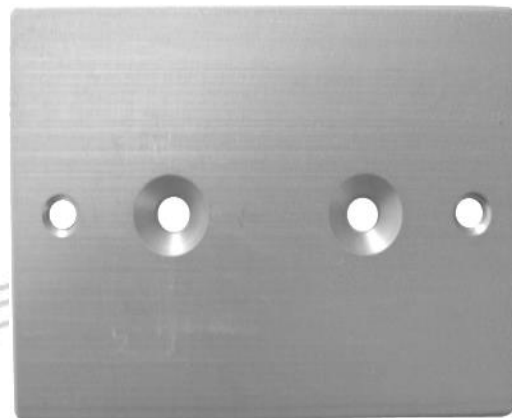
The dimensions of the top mounting surface of this bracket are 9" x 3".

Cisco Fishing Systems, Ltd.

1791 East 38th Street 1A, Cleveland, Ohio 44114
Phone: 216.881.4559 Fax: 216.881.4507 www.cisconfishingsystems.com

SURE-LOK ELECTRONICS MOUNT

This universal mount securely holds most chart plotters, GPS, fish finders and VHF radios while allowing you to reposition the unit for viewing from all angles. The top mounting plate is equipped with **25 hole locations** to accommodate virtually any hole pattern. The positive locking head of the Sure-Lok Mount will adjust to any angle from 0-135° by actuating the padded lever. Simply release the lever and move the top plate to the desired angle and close the lever to keep the device from moving. *Unlike other electronic mounts on the market, the Sure-Lok unit is guaranteed not to move even in the roughest conditions.* The fully adjustable electronics mount simply indexes in a radial movement every 18° by lifting and turning our exclusively spring-loaded mechanism.



Product Code: MTSLM

The unit comes with three separate ways of mounting the unit to the boat. You can mount the unit to the boat by using our thumbscrew mount, track mount or permanent mount (all mounts come standard when purchasing this unit).



Product Code: XPSLP

EXTRA THUMBSCREW MOUNTING PLATE

This plate can be purchased separately to provide additional mounting locations for your electronics mount. Simply use the thumbscrews in the base of the unit to secure it down to the threaded holes on the exterior ends of the mounting plate.

Fully Adjustable

Product Codes:

MTSLM (Silver)
MTSLM-MB (Blue)
MTSLM-BK (Black)



Short Tilt-Only

Product Codes:

MTSLM-NO (Silver)
MTSLM-NO-MB (Blue)
MTSLM-NO-BK (Black)



Tall Tilt-Only

Product Codes:

MTSLM-NX (Silver)
MTSLM-NX-MB (Blue)
MTSLM-NX-BK (Black)



Cisco Fishing Systems, Ltd.

1791 East 38th Street 1A, Cleveland, Ohio 44114

Phone: 216.881.4559 Fax: 216.881.4507 www.cisconfishingsystemsLtd.com

PLANER BOARD MASTS

We have designed our planer masts to be the most durable product available on the market. *Every piece of aluminum is machined and crafted from solid aluminum and anodized to military specs.* Unlike other brands, which use hollow aluminum tubing for the upright mast, we construct ours using a solid 1½” pole to ensure that even in the toughest conditions our mast will neither bend nor break.

The planer mast includes 6” solid aluminum reels, line guides, variable clutches, aluminum clutch knobs, high torque electric motors with modified output shafts, aluminum cased pulleys, removable base, mounting and backing plate. Further details listed below:

12 Volt Motor Specs: Our solid aluminum 6” reels are powered by motors which are engineered and manufactured in the USA; these motors have 2½ times more torque than our competitors making it possible to retrieve any size planer board at any trolling speed. Additionally, we seal our motors through an extensive weatherproofing process to ensure a long-lasting life of the motor.



Specs for Reels and Clutch Components: The 6” reel comes with a $\frac{7}{16}$ stainless steel bore to fit the driveshaft. Attached to the shaft is also a heavy duty stainless steel collar which is built for precision adjustments of the clutch (other manufacturers use a thin snap ring which when too much pressure is applied breaks the ring causing the clutch components to rub against the motor housing, thus destroying the unit). Our clutch components use a hard anodize pressure plate and 660 bronze machined clutch pads for virtually no wear on the unit even after years of constant abuse. The clutch knob is also solid aluminum and, unlike plastic knobs, will neither break nor need replaced each season.

Aluminum Pulley Specs: Our pulleys are constructed with aluminum side plates and spacers then bolted together with stainless steel hardware. The sheave turns on pressed stainless steel sealed ball bearings for a lifetime of use and is recessed to prevent the line from being captured between the side plate and sheave. The 12/0 swivel is rated by the manufacturer at 1500 lbs (this swivel is constructed in the USA).

Dual Planer Board Mast

Product Code: PMDBE – Photo shown to the left

Product Code: PMDBE-DM – Breakdown mast into (2) 3’ sections. Please refer to website for more details and photos.

Single Planer Board Mast

Product Code: PMSG (item not shown)

Product Code: PMDBE

Cisco Fishing Systems, Ltd.

1791 East 38th Street 1A, Cleveland, Ohio 44114

Phone: 216.881.4559 Fax: 216.881.4507 www.cisconfishingsystems.com

PLANER BOARD MASTS (CONT.)



3' Planer Mast with Pulley

This planer mast unit is perfect for individuals who would like to rig their boat in their own unique setup. The mast is solid aluminum and is compact enough for you to place in various locations on your boat.

The unit comes with mounting plate, backing plate, solid collar and swivel pulley.

Unit is capable for use with our single/double electric reels. Let us know what setup would work best for you and contact your local dealer for pricing!

Product Code: PMSRT

Single Planer Pulley with Rail Clamps

If you are looking to set up your boat in a way slightly different than traditional rigging than this unit may be exactly what you have been seeking!

Our rail clamps can fit any rail from $\frac{7}{8}$ " to $1\frac{1}{2}$ " in diameter and the entire mounting system is machined from solid aluminum. *Larger size clamps are available upon request.*

Pulley's are constructed with aluminum side plates and spacers then bolted together with stainless steel hardware. The sheave has a stationary bearing race with sealed stainless steel ball bearings for a smooth operation. The sheave is also recessed to prevent the line from being captured between the side plate and sheave which is possible with other brands available and the 12/0 swivel is rated by the manufacturer at 1500 lbs (this swivel is constructed in the USA).

Product Code: PMSPC

Position this unit in a place where your lines will stay farthest from your boat to help you catch some of the more timid fish which steer clear from your boats wake!

Cisco Fishing Systems, Ltd.

1791 East 38th Street 1A, Cleveland, Ohio 44114
Phone: 216.881.4559 Fax: 216.881.4507 www.cisconfishingsystemsLtd.com

MANUAL AND ELECTRIC PLANER REELS

Our electric planer drive reels and manual reels are very similar in design. They are centered around a $7/16$ " stainless steel driveshaft and include a 6" solid aluminum reel, variable clutch, aluminum clutch knob, high torque electric motor (modified output shaft), universal mounting bracket and line guide (both easily adjustable in 12 different positions for ultimate versatility), and vee clamps capable of mounting from $7/8$ " to $1\frac{1}{2}$ " diameter rail. Larger size vee clamps are available upon request for rails up to 3" in diameter. Further details about some of these components are listed below:

12 Volt Motor Specs: Our solid aluminum 6" reels are powered by motors which are engineered and manufactured in the USA; these motors have $2\frac{1}{2}$ times more torque than our competitors making it possible to retrieve any size planer board at any trolling speed. Additionally, we seal our motors through an extensive weatherproofing process to ensure a long-lasting life of the motor.

Aluminum Reel Specs: The 6" reels come with a $7/16$ " stainless steel bore to fit the driveshaft. Attached to the shaft is also a heavy duty stainless steel collar which is built for precision adjustments of the clutch (other manufacturers use a thin snap ring which when too much pressure is applied breaks the ring causing the clutch components to rub against the motor housing, thus destroying the unit). Our clutch components use a hard anodize pressure plate and 660 bronze machined clutch pads for virtually no wear on the unit even after years of constant abuse. The clutch knob is also solid aluminum, and unlike plastic knobs, will neither break nor need replaced each season.

Our reels are so popular because many fishermen prefer to use "weed wacker" line when running planer boards. When the lines are being retrieved with plastic reels it cannot handle the stress when the line expands and will crack into pieces. Our solid aluminum reels will never crack nor flare under pressure.



Manual Planer Drive Reel

The manual hand reel comes standard with a fully adjustable line guide and mounting clamps. Both can be rotated 360° so the reel can be positioned between various tubing structures on vessels.

The mounting plate comes with 14 threaded hole locations for the universal mounting clamps to secure to and can be mounted to both the front and the back of the plate. The line guide can also be adjusted to a wide variety of angles to suit individual needs.

Lastly, the inner components of the revolving handle are machined from solid aluminum and joined together with stainless steel fasteners for smooth revolutions and a lifetime of use.

Product Code: PMMNR

Cisco Fishing Systems, Ltd.

1791 East 38th Street 1A, Cleveland, Ohio 44114

Phone: 216.881.4559 Fax: 216.881.4507 www.cisconfishingsystemsLtd.com

MANUAL AND ELECTRIC PLANER DRIVES (CONT.)



Front View



Rear View

Product Code: PMELR

Electric Planer Drive Reel

The manual hand reel comes standard with a fully adjustable line guide and mounting clamps. Both can be rotated 360° so the reel can be positioned between various tubing structures on vessels. The motor is fully rotational as well.

The mounting plate comes with 14 tapped hole locations for the universal mounting clamps to secure to and can be mounted to both the front and the back of the plate. The line guide can also be adjusted to a wide variety of angles to suit individual needs.

The motor has 2½ times more torque than our competitors for retrieving line at top end trolling speeds at a rate of 55-60 rpm. As the photo illustrates, the motor and wiring components are weatherproofed for long lasting sustainability.



Product Code: PMECT

Planer Board Electric Control

The electric control box is constructed of polycarbonate material and has a waterproof enclosure with stainless steel screws. The wire fittings have rubber inserts to grip and seal the wire as it enters the control box to ensure a watertight seal. Dimensions are approximately 3" x 3" x 2". Stainless steel mounting screws are provided.

Included in the control is a resettable push button 15-amp breaker with a waterproof boot. There is a 3-way switch (on-off-on) which controls the spooling rotation of the reel and includes a switch guard and a waterproof boot.

The wire is 14 Gauge Fine Stranded low voltage copper wire. The jacket of the wire is UV/water/oil resistant. We provide 11 feet of wire from the boat power supply to the control box and 22 feet of wire from the control box to the electric drive reel.

Note: Only one electric control can be used with each electric motor.

Cisco Fishing Systems, Ltd.

1791 East 38th Street 1A, Cleveland, Ohio 44114
Phone: 216.881.4559 Fax: 216.881.4507 www.cisconfishingsystemsLtd.com

DOWNRIGGER

Each component on our downrigger is precision machined from a solid piece of aluminum and is anodized to military specs. The downriggers uses a powerful 12 volt motor with a $\frac{7}{16}$ " stainless steel output shaft which rotates at 110-115 rpm. For added protection, the motor includes a weatherproof heat shrunk boot around the exterior of the motor/power leads and are protected with a GE silicone sealant to provide long term sustainability. A depth counter is also installed to monitor how many revolutions the reel has made. For more information on the reels, pulleys, rod holders and electric controls please refer to the table of contents for locating additional details.



Electric Downrigger

Downrigger includes a solid aluminum construction, electric motor with controls, solid 3 ft. boom, tilt up lock with quick release, adjustable clutch, ball cradle, two rod holders and swivel base.

Product Code: DRSBM (solid 3 ft. boom)

Product Code: DRTBM (telescopic boom up to 6')

Product Code: DRTBO (telescopic boom only)

STATIONARY STORAGE RACK

Our stationary storage rack is built from solid aluminum and anodized to military specs. Units are available in increments of six, eight, ten and twelve tubes. Tubes are threaded and are capable of being screwed on and off for storage purposes; color upgrades to bright gold, bright blue, and bright black are available.

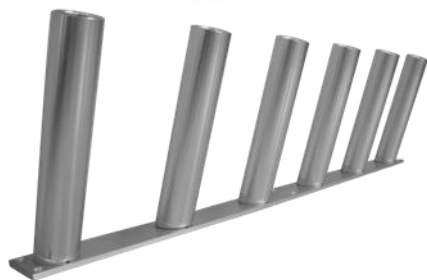


Photo above displays our six unit storage rack.

Stationary Storage Rack

This unit works great for storing rods and fits well on hardtops. Each unit's dimensions are listed below.

Product Code:

SRRSS-4 - Four tube unit	23 $\frac{3}{4}$ " Overall Length
SRRSS-6 - Six tube unit	37 $\frac{1}{4}$ " Overall Length
SRRSS -8 - Eight tube unit	50 $\frac{3}{4}$ " Overall Length
SRRSS-10 - Ten tube unit	64 $\frac{1}{4}$ " Overall Length
SRRSS-12 - Twelve tube unit	77 $\frac{3}{4}$ " Overall Length
SRRXX - Custom tube unit	Size is Variable

Cisco Fishing Systems, Ltd.

1791 East 38th Street 1A, Cleveland, Ohio 44114
Phone: 216.881.4559 Fax: 216.881.4507 www.cisconfishingsystemsLtd.com

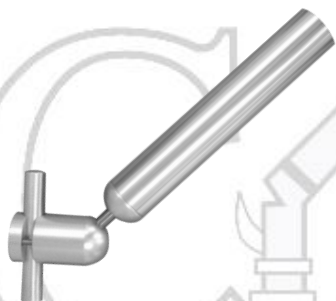
ROD HOLDER TREE

The rod holder tree organizes rods vertically which provides more room along the gunnels for other trolling equipment.

The mast can be mounted to your boat by our thumbscrew mounting plates or fit securely in your Sure-Stop track system (Bert's and Traxstech compatible).



Tree Rod Holder



Product Code: RHTRE

The tree rod holder mounts to the $\frac{7}{8}$ " diameter mast by means of two stainless steel cap screws and lock washer. Unlike some competitors, the rod holder can be adjusted vertically and in a radial manner. This works great for staggering the rods so the removal of a lower rod will not interfere with the rod positioned above.

In the bottom of each tube is a machined extension which mates with the cross cut in the rod holder butt to keep the rod from swaying.

Recommended use is with 2-4 rod holders per mast.

Tree Mast

The tree mast stands 32" high and is capable of mounting four rod holders along it. It is a solid $\frac{7}{8}$ " mast and is available in thumbscrew and 3" track mounting options.

For frequent removal of a mast our quick release mount can be attached to the base. Call for pricing.

Thumbscrew Mast Product Code: TRMST-TS
Track Mount Mast Product Code: TRMST-TR



**Mast with
Track Mount**

**Mast with
Thumbscrew Mount**

Cisco Fishing Systems, Ltd.

1791 East 38th Street 1A, Cleveland, Ohio 44114
Phone: 216.881.4559 Fax: 216.881.4507 www.cisconfishingsystemsLtd.com

TROLLING MOTOR STABILIZER MOUNT

The newest addition to our product line is our Trolling Motor Stabilizer Mount. This mount has been designed and perfected for boaters looking to easily secure their trolling motor arm when cruising through rough waters. This trolling motor mount is a necessity for any trolling motor and is used to:

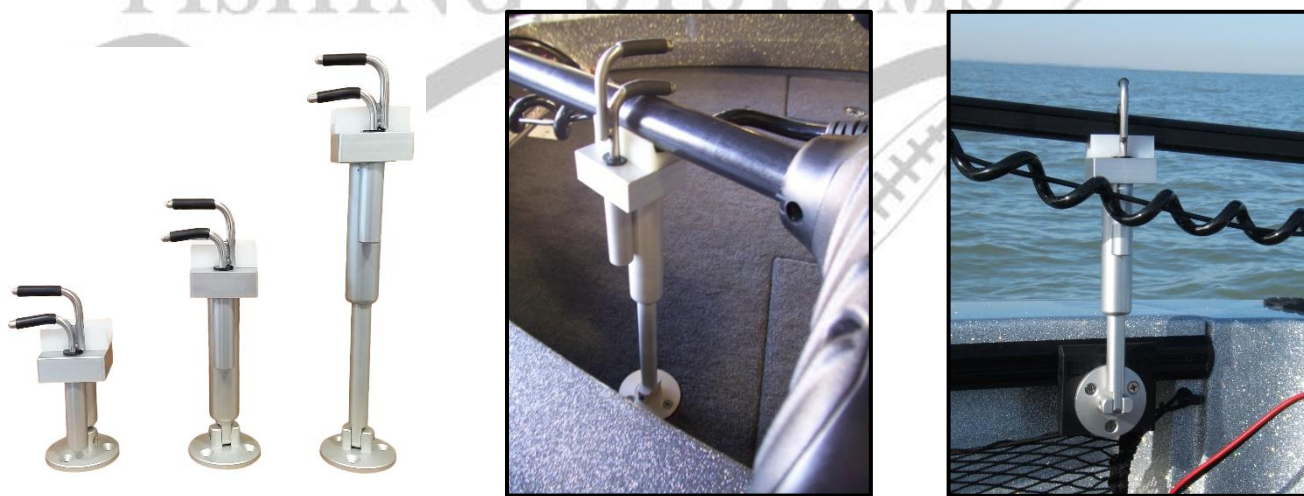
1. Eliminate vibrations and bouncing of the trolling arm when cruising.
2. Safely secure the trolling arm in rough conditions.
3. Prevent the unit from slipping into the water when cruising causing major damage to your boat and motor.
4. Hold the unit in place for safe transportation of your boat.

This unit can adjust to any angle between 0-180° and rotates radially 360° making this great for any horizontal and vertical mounting application. The synthetic V-Channel safely cradles any trolling motor arm from 7/8" to 1-1/2" and works great for any trolling motor.

Stabilizer Mount Sizing Options

Three different mounting sizes are available. Measurements are from the bottom of the round mounting plate to the bottom of the trolling motor arm.

- | | | |
|-----------------------------|--|-------------------------|
| 1. Small Stabilizer Mount: | Adjusts for any height from 6" to 8" | Product #TMSBZ-S |
| 2. Medium Stabilizer Mount: | Adjusts for any height from 8" to 12" | Product #TMSBZ-M |
| 3. Large Stabilizer Mount: | Adjusts for any height from 12" to 17" | Product #TMSBZ-L |



PATENT #8,888,065

Cisco Fishing Systems, Ltd.

1791 East 38th Street 1A, Cleveland, Ohio 44114
Phone: 216.881.4559 Fax: 216.881.4507 www.cisconfishingsystems.com

ACCESSORIES

As part of our mission statement, Cisco Fishing Systems, Ltd. is dedicated to provide the highest quality parts at an affordable price while making the transition to our products as simple as possible. You will find that many of our products are compatible with other major manufacturers already in the market.

Innovation Makes Us #1, Quality Keeps Us There!



Product Code: DRMOT

Downrigger Motor

Big Jon Compatible!

The downrigger motor is a powerful 12 volt DC motor with a $\frac{7}{16}$ " stainless steel output shaft which rotates at 110-115 rpm. The three mounting lugs are in a $1\frac{7}{8}$ " bolt circle and are $\frac{1}{4}$ -28 fine threaded holes. We recommend using our electric controls with a 15-amp resettable breaker.

For added protection, our motors include a weatherproof heat shrunk boot around the exterior of the motor/power leads and are protected with a GE silicone sealant to provide long term sustainability.



Planer Motor

Big Jon Compatible!

Our planer motors are a powerful 12 volt motor with a $\frac{7}{16}$ " stainless steel output shaft which rotates at 55-60 rpm. Attached to the shaft is a heavy duty stainless steel collar which is built for precision adjustments of the clutch (other manufacturers use a thin snap ring which when too much pressure is applied breaks the ring causing the clutch components to rub against the motor housing, thus destroying the unit).

The three mounting lugs are in a $1\frac{7}{8}$ " bolt circle and are $\frac{1}{4}$ -28 fine threaded holes. We recommend using our electric controls with a 15-amp resettable breaker.



Product Code: PMMOT

For added protection, our motors include a weatherproof heat shrunk boot around the exterior of the motor/power leads and are protected with a GE silicone sealant to provide long term sustainability.

Cisco Fishing Systems, Ltd.

1791 East 38th Street 1A, Cleveland, Ohio 44114

Phone: 216.881.4559 Fax: 216.881.4507 www.cisconfishingsystemsLtd.com

ACCESSORIES (CONT.)



Product Code: MTHND

**Lund Mount Not Included

Adjustable Handline Reel Mount

Cisco handline reel mounts are the most versatile and user-friendly mounts available. The length of the mounting plate is 15" long and can mount any handline reel to it using any of the pre-drilled holes between 12.5" to 14.75" on the plate. The unit can also easily pick up and rotate to any 360° location to help get the reel closer or further from the boats gunnel depending on the current. This feature also makes it very convenient when docking the boat because you can align your reel in line with your boats gunnel.

The handline mount can secure to any of our Single Mounting Systems, as well as our various, Lund mounts, Tracker mounts, Rail mounts, etc. (purchased separately).

Tool Caddy with 5" Riser

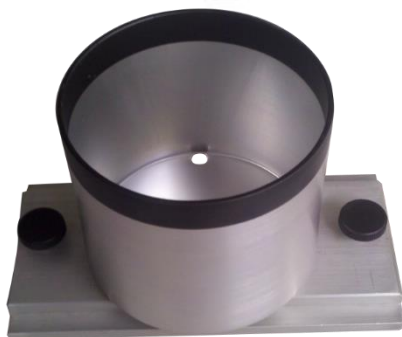


**Product# XPTCD-TR (as shown)
XPTCD (no mount)**

The Cisco tool caddy is one of the most efficient and secure ways to organize your various tools needed while on the water. We have designed a series of different size and shape slots and holes to accommodate anything from a simple spoon to a Boga Grip...and everything in between. Screwdrivers, Reef Runner tuners, needle nose pliers and scales all have a home now!

This tool caddy plate can be purchased separately and used with any mount or rod holder available on our website. It can be attached to any size riser for added height if needed.

Cup Holder



**Product# XPCUP-TR (as shown)
XPCUP (no mount)**

Cup holders can slide into any Bert's, Traxstech or Cisco track system (similar models will fit as well) when mounted to our track mount as shown in the photo.

For customers looking to install one on a Cross-Plate in between rod holders this can easily be done. On the underside of any of our Double, Triple, or Quad Cross-Plates simply drill out the pre-existing dimple and the hole pattern in the bottom of the cup holder will line up with these holes. Mounting hardware provided.

Cisco Fishing Systems, Ltd.

1791 East 38th Street 1A, Cleveland, Ohio 44114
Phone: 216.881.4559 Fax: 216.881.4507 www.cisconfishingsystems.com

ACCESSORIES (CONT.)



Product Code: XPCLT

6" Stainless Steel Cleat on Track Mount

This solid stainless steel cleat is designed to slide into the track system. This allows you to hang bumpers and other equipment from your boat in any location where track is mounted.



Sure-Lok LED Boat Light

Our new fully adjustable LED boat light offers high illumination with little power. With no tools required you now have the option to quickly position light anywhere on your vessel to safely work, walk or net fish any time from dusk till dawn. Simply lift and turn our 360° rotating indexing bases or release/lock the cam lever to operate the unit.



This adjustable work light is available with or without a riser to optimize the platform and environment that fits best for your needs. Any size riser 10"+ can have access holes added into the tubing (free of charge) upon request to help conceal wiring/connections as shown in the photos.

Lighting Specifications:

- 1.5 Amps @ 12V
- 12-24 Volt Capable
- 1350 Lumens
- 36" Wire Leads
- Rating I67, 20G



ALL lights come standard with a Track Mount on 5" Riser but can also be used with any of our Mounts for Single Units (upon verbal request).

Track System is NOT Included

Product Code: XPLIT

Cisco Fishing Systems, Ltd.

1791 East 38th Street 1A, Cleveland, Ohio 44114

Phone: 216.881.4559 Fax: 216.881.4507 www.cisconfishingsystemsLtd.com

ACCESSORIES (CONT.)



Product Code: XPREL

6" Aluminum Reel **Big Jon Compatible!**

The entire reel is machined from a *solid* round of aluminum and has a $\frac{7}{16}$ " bore. Four clutch pads machined from a solid bar of 660 bronze are provided which are capable of handling extreme amounts of pressure and heat.

*Revolving handle may also be attached to this unit.



Product Code: XPRXL

High Capacity 8" Aluminum Reel

This oversized reel is similar to our 6" reel. Its frame is machined from a solid piece of aircraft grade aluminum and comes with four clutch pads made from 660 bronze.

The inner hub measures $3\frac{1}{2}$ " in diameter and it uses a $\frac{7}{16}$ " diameter bore.

Revolving handle may also be attached to this unit.



Product Code: XPREV

Revolving Handle

Looking for a plastic handle...you won't find it here. We machine our handles from a solid round of aluminum to ensure a lifetime of use. All inner working components are machined from aluminum and stainless steel for a smooth and fluent revolution every time.

We recommend that every person who owns an electric reel should have a handle in case of electrical failure or wiring malfunction on the boat.

What Makes Our Reels The Best?

Our reels are so popular because many fishermen prefer to use "weed wacker" line when running planer boards. When the lines are being retrieved with plastic reels it cannot handle the stress when the line expands and will crack into pieces. *Our solid aluminum reels will never crack nor flare under pressure.*

Cisco Fishing Systems, Ltd.

1791 East 38th Street 1A, Cleveland, Ohio 44114
Phone: 216.881.4559 Fax: 216.881.4507 www.cisconfishingsystemsLtd.com

ACCESSORIES (CONT.)



Product Code: NHTUB

Photo above shown with 6" Sure-Stop Track
(Track Not Included)

Stationary Net Holder

Cisco Net holders are great for holding large/heavy nets and storing them out of the way when not in use. This unit is made entirely from aircraft grade anodized aluminum and the tube is also available in Bright Blue, Bright Gold and Bright Black.

A drain hole is conveniently located at the base of the tube to prevent water from collecting. This unit comes with a track mount included.



Product Code: XPPLY

Aluminum Pulley

Big Jon Compatible!

Our pulleys are constructed with solid aluminum side plates and spacers then bolted together with stainless steel hardware.

The sheave has a stationary bearing race with Delrin ball bearings for a smooth operation. The sheave is recessed to prevent the line from being captured between the side plate and sheave. The 12/0 swivel is rated by the manufacturer at 1500 lbs (this swivel is constructed in the USA).



Product Code: XPKNB

Clutch Knob

Big Jon Compatible!

This solid aluminum clutch knob is 2½" in diameter with a 7/16" 14 threaded hole. This knob can directly replace plastic knobs found on Big Jon electric drives.



Product Code: XPBRS

Bronze Clutch Pads

These bronze pads are machined from a solid round and can be used in reels for resisting wear on your clutch. They come in a standard order quantity of four and with a pressed divot in them to ensure they mount securely in place.



Product Code: XPTSS

Additional Thumbscrews

Thumbscrews are sold in quantities of four and ¼"- 20 threaded. These will fit any of our mounts with tapped holes and are available in ½", 5/8" and ¾" lengths.

Cisco Fishing Systems, Ltd.

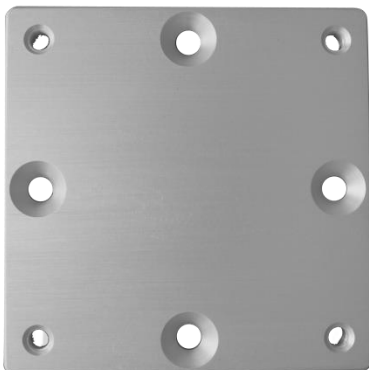
1791 East 38th Street 1A, Cleveland, Ohio 44114

Phone: 216.881.4559 Fax: 216.881.4507 www.cisconfishingsystemsLtd.com

ACCESSORIES (CONT.)

Extra Mounting Plates:

Extra 4" x 4" mounting plates are great for having around your boat. This gives you the option to easily move your downrigger, thumbscrew, quick release or gimbal mounted rod holders to another location in a matter of seconds. Simply install a separate mounting plate on your gunnel without having to worry about spending unnecessary money on outfitting another side of your boat you seldom fish from.

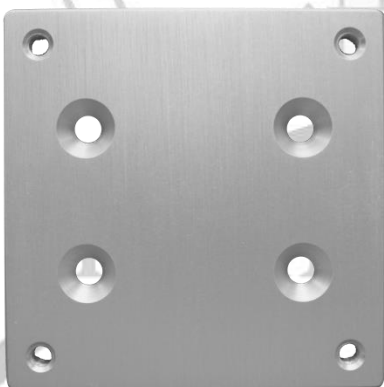


Product Code: XPTMP

Thumbscrew Mounting Plate

This plate can be mounted to any location on your gunnel and can secure any rod holder units on a thumbscrew base plate. This plate is also capable of securing a downrigger.

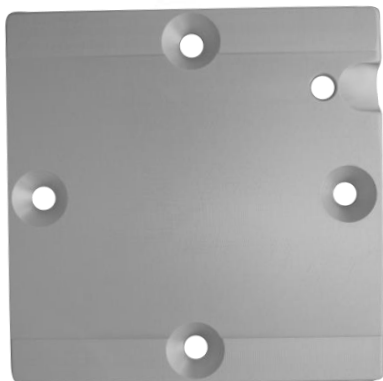
The hole pattern is also the same as Big Jon's so you do not have to worry about drilling additional holes in your boat; this plate will mount directly to the pre-drilled holes.



Product Code: XPGMP

Big Jon Adapter Plate

This plate can be secured to any of our Mounts for Multi-Units. It will secure any Big Jon rod holder or downrigger.



Product Code: XPQRP

Quick Release Gunnel Plate

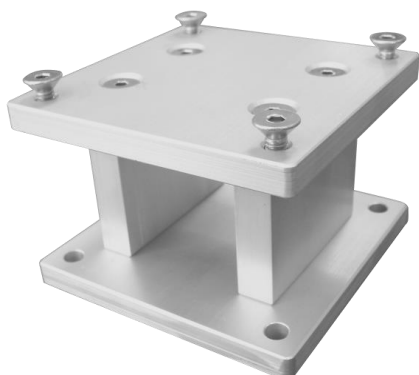
This plate can be secured to any location on your gunnel and can mount any rod holder units on a quick release base plate.

Cisco makes sure that moving your rod holders from one location to another does not get any easier than this!

Cisco Fishing Systems, Ltd.

1791 East 38th Street 1A, Cleveland, Ohio 44114
Phone: 216.881.4559 Fax: 216.881.4507 www.cisconfishingsystemsLtd.com

ACCESSORIES (CONT.)



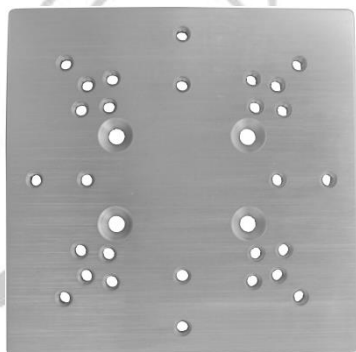
Product Code: MTRIS

Photo above shown with base thru holes.

Riser Mount

Our 2 3/4" universal riser mount is compatible with every mount offered by Cisco as well as most Big Jon components. This mount is great for elevating rod holders and downriggers.

Available base options include thumbscrew, 1/4" - 20 tapped holes, or thru holes for permanent mounting. Please specify which type to include when ordering.

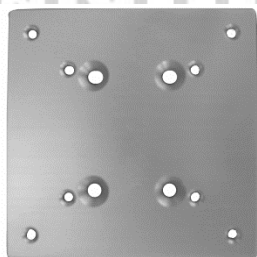


Product Code: XPUNV

Universal Mounting Plate

The universal mounting plate is a great way to adapt your existing rod holders, tracks and downriggers from any major fishing manufacturer to your boat without having to drill any additional holes. Simply secure this plate to any of our Multi-Mounts to create a versatile universal mounting system.

This plate is composed of solid 3/8" thick anodized aluminum and is 6" x 6" square.



Product Code: XPCAN

Cannon Adapter Plate

This plate can be secured to any of our Mounts for Multi-Units, Lund mounts or Tracker mounts. It will secure any Cannon downrigger with a swivel mount or stationary base.

Item(s) Not Shown

Scotty Product Code: XPSCT
Walker Product Code: XPWKR

Scotty/Walker Adapter Plate

This plate can be secured to any of our Mounts for Multi-Units, Lund mounts or Tracker mounts. It will secure any downrigger with a swivel mount or stationary base.



Product #: XPTSS-1/2
XPTSS-5/8
XPTSS-3/4

Additional Thumbscrews

Thumbscrews are sold in quantities of four and 1/4" - 20 threaded. These will fit any of our mounts with threaded holes and are available in 1/2", 5/8" and 3/4" lengths.



Innovation Makes Us #1, Quality Keeps Us There!



Rod Holders • Planer Masts • Downriggers • Storage Units
Custom Applications • Innovative Mounting Systems

Phone: 216.881.4559

www.cisconfishingsystemsLtd.com